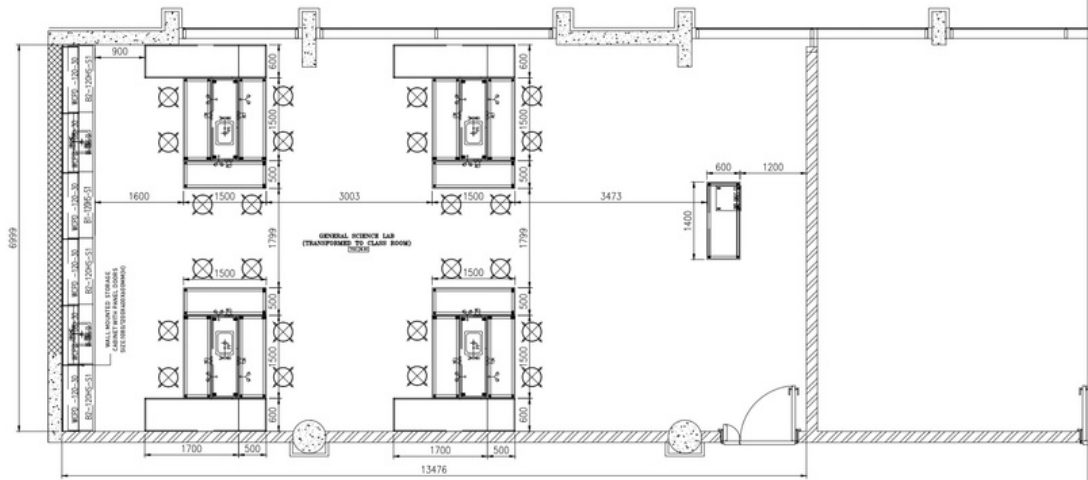


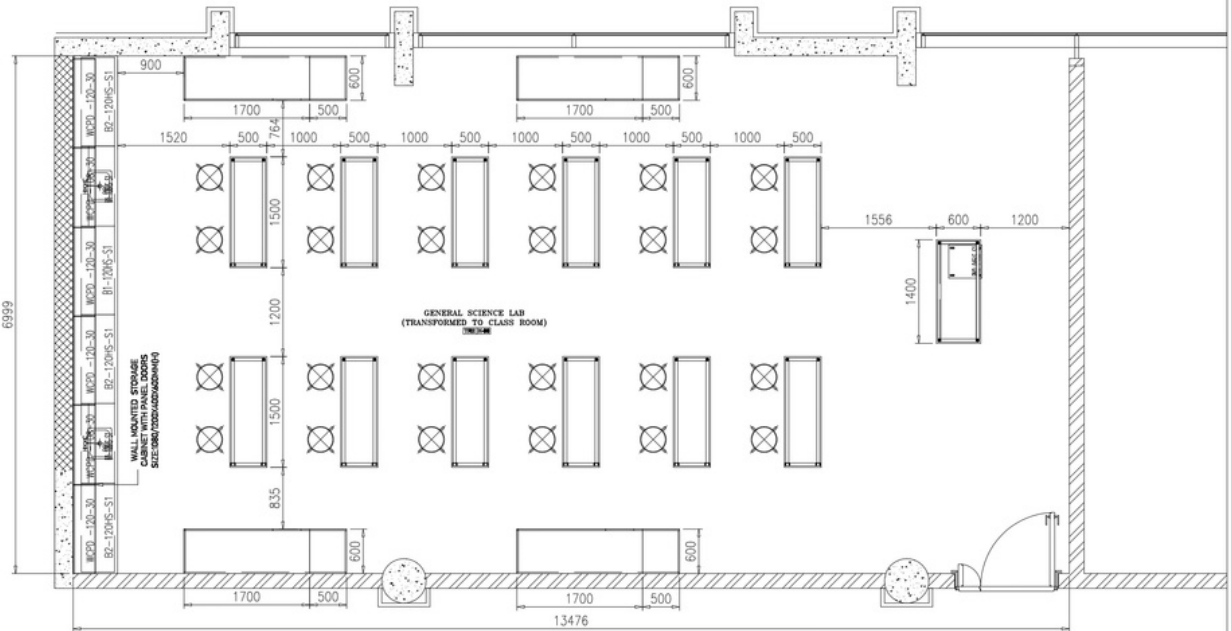
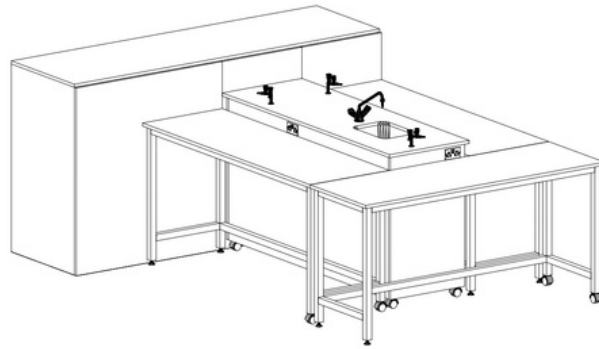
RETRACTABLE STUDENT BENCH FOR SCIENCE LABORATORIES



RETRACTABLE STUDENT BENCH FOR SCIENCE LABORATORIES



GENERAL SCIENCE LAB



GENERAL SCIENCE LAB
(TRANSFERRED TO CLASS ROOM)

RETRACTABLE
STUDENT BENCH
FOR SCIENCE LABORATORIES



RETRACTABLE STUDENT BENCH FOR SCIENCE LABORATORIES



LABORATORY BENCHES EACH CAN ACCOMMODATE SIX STUDENTS



BONlab offers a full line of completely free-standing, flexible laboratory furniture that allows you to restructure and reorganize your space at any time.

With today's generation of laboratories requiring an adaptable workplace, our integrated systems are able to organize a space in modern labs while minimizing the use of room space.

This bench system is pre-wired and pre-plumbed, offering ease of installation and capable of multiple circuits.

RETRACTABLE STUDENT BENCH FOR SCIENCE LABORATORIES



LABORATORY CONVERTED TO CLASS ROOM

The multipurpose Retractable student table from BONlab is an ideal solution for academic laboratory settings. The flexible and changeable Lab benches can be converted to a class room very easily. This System was engineered to empower labs for continuous change.

Movable Student tables are not attached to the floor and can easily be reconfigured without disruptive and costly remodeling.



RETRACTABLE STUDENT BENCH FOR SCIENCE LABORATORIES



Retractable service module



Student table

Each unit is a combination of one fixed service module and three movable student tables. Fixed service cabinet module will be located strategically at the perimeter of lab room, and all services like water, drainage, electrical, Gas, etc. are terminal connected inside this unit and the cabinet is covered with multiple panel doors.

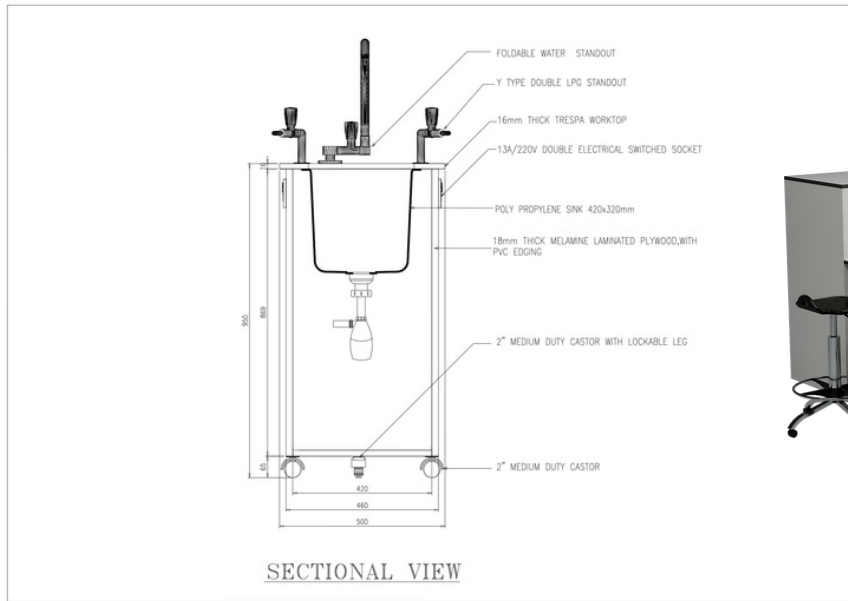
A retractable bench consisting of point of use outlets and Sink is attached inside this service cabinet by heavy duty pivot hinges and could be pulled out at 90 degree turn on its castors to convert the unit for Laboratory purpose.

The length of this service unit may vary from 1.2m to 1.8m depending on the size of tables (number students are accommodated).

Student table frames are not fixed in place, but on floor glides or locking wheels.

A study laboratory can be configured by assembling all these students tables around the retractable bench. Most of which can be done very easily by lab staff or maintenance personnel.

SECTIONAL DETAILS OF STORAGE / SERVICE CABINET



MEDIUM DUTY CASTORS (for student table)

Floor Protector Rubber Castor Wheels . 50 mm Casters with Stem or Top Plate Mounting Options



MEDIUM DUTY CASTORS with Lockable leg (For Cabinet unit)

50mm Nylon Caster with brake and lockable leg - Medium Duty 130kg Dynamic load, Threaded Brake, Chrome Coated



SS D- HANDLE

D- BAR Pull handle for Cabinets. Made of Stainless steel 10mm Dia x 128mm long

Fast assembly concealed hinge with integrated Silent System



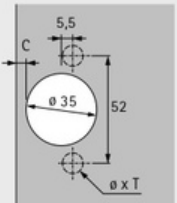
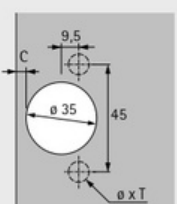
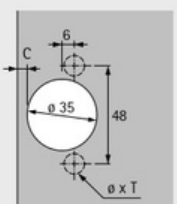


- ▶ Sensys 8657i, 0 protrusion hinge
- ▶ 165° opening angle



- ▶ Concealed clip on hinge with integrated Silent System
- ▶ Quality classification under EN 15570, Level 3
- ▶ For door thickness of 15 – 32 mm
- ▶ Cup diameter 35 mm
- ▶ Cup depth 11.6 mm
- ▶ Integrated overlay adjustment + 2 mm / - 2 mm
- ▶ Integrated depth adjustment + 3 mm / - 2 mm
- ▶ Height adjustment at mounting plate
- ▶ Opening angle can be reduced by means of optional accessory
- ▶ 0 protrusion hinge
- ▶ Hinge arm material: nickel plated steel
- ▶ Hinge cup material: nickel plated steel

Sensys 8657i, 165° opening angle

Cup installation	Drilling pattern	Fixing hole ø x T mm	Full overlay	Half overlay	PU
					
			Basis B 12.5 mm	Basis B 3 mm	
Screw on version TH 52		-	9 099 540	9 099 550	50 ea.
Press in version TH 53		ø 10 x 11	9 099 541	9 099 551	50 ea.
Flash fast assembly TH 54		ø 10 x 11	9 099 542	9 099 552	50 ea.
Fix fast assembly THS 55		ø 10 x 6	9 099 543	9 099 553	50 ea.
With prem. Euro screws TH 56		ø 5 x 11	9 099 544	9 099 554	50 ea.
Screw on version TB 52		-	9 099 560	9 099 570	50 ea.
Press in version TB 53		ø 8 x 11	9 099 561	9 099 571	50 ea.
Flash fast assembly TB 54		ø 8 x 11	9 099 562	9 099 572	50 ea.
Fix fast assembly TB 55		ø 8 x 6	9 099 563	9 099 573	50 ea.
With prem. Euro screws TH 56		ø 5 x 11	9 099 564	9 099 574	50 ea.
Screw on version TS 52		-	9 099 580	9 099 590	50 ea.
Press in version TS 53		ø 10 x 11	9 099 581	9 099 591	50 ea.
Flash fast assembly TS 54		ø 10 x 11	9 099 582	9 099 592	50 ea.
Fix fast assembly THS 55		ø 10 x 6	9 099 543	9 099 553	50 ea.
With prem. Euro screws TH 56		ø 5 x 11	9 099 584	9 099 594	50 ea.

WORKTOP - TRESPA Toplab plus



SCIENTIFIC SURFACE SOLUTIONS

MORE THAN 55 YEARS OF RESEARCH, TECHNOLOGY AND INNOVATION

Trespa International is a leading innovator in the field of architectural materials. Thanks to more than 55 years of global experience and product innovation, Trespa is recognised internationally as a premier developer of high-quality panels for scientific surface solutions.

3

TRESPA® TOPLAB®

SCIENTIFIC SURFACE SOLUTIONS

THE IDEAL CHOICE FOR SAFE AND DURABLE SCIENTIFIC ENVIRONMENTS

24 HOURS CHEMICAL RESISTANT	DOES NOT SUPPORT BACTERIAL GROWTH	SCRATCH & WEAR RESISTANT	EASY TO CLEAN	QUICK INSTALLATION	EXCELLENT MACHINABILITY	SUITABLE FOR CONTACT WITH FOOD	IMPACT RESISTANT

Today's laboratory and functional environments demand compliance with rigorous codes and standards. Therefore, selecting the right material is of crucial importance. Whatever product from the Trespa® TopLab® line you choose, this high-pressure compact laminate, fabricated with natural fibres and thermosetting resins, will extend the lifetime of your laboratory worktops, cabinets and shelving noticeably.

10-YEAR PRODUCT WARRANTY
The unique properties of Trespa® TopLab® panels make them highly durable. That is why Trespa offers a 10-year conditional warranty on its product lines. To learn more about our warranty, please visit Trespa.info.

TESTING, CERTIFICATION AND BRANCH ASSOCIATIONS
Trespa® products for scientific surface solutions are tested and certified according to international standards in relation to chemical resistance, low emission, food contact and other properties. TopLab®^{RES}, TopLab®^{HYGIENICAL} and TopLab®^{BLISS} are certified under the

GREENGUARD Gold Certification program. Trespa International B.V. is a member of SEFA (Scientific Equipment and Furniture Association), EGNATON (European Association for Sustainable Laboratory Technologies) and VIP3000 (Association for Cleanrooms and Pharmaceutical Construction).



USING RENEWABLE RESOURCES

Trespa® TopLab®^{RES} and ^{HYGIENICAL} are available with the Programme for the Endorsement of Forest Certification (PEFC®) or Forestry Stewardship Council® (FSC®) certification upon request for restricted quantities and jurisdictions. The use of FSC® and PEFC® certified Trespa® panels may also contribute to points associated with green building certification systems like LEED, BREEAM and DGNB. These certifications are one of the initiatives resulting from Trespa's Sustainability Policy, by which Trespa shows its commitment to the use of raw materials from sustainable origin and to forest preservation.



WORKTOP - TRESPA Toplab plus

TRESPA TOPLAB^{PLUS} - CHEMICAL RESISTANCE

(24 HOURS EXPOSURE)

Test procedure

The test was conducted by applying 5 drops of each reagent on the surface, covered with a watch glass (except those marked**). Chemicals marked ** were tested with a saturated cotton ball covered by a bottle. All chemicals were tested at room temperature for a period of 24 hours, rinsed off with water and evaluated.

Test results

No effect: No detectable stain, loss of gloss or change in work surface material.

Excellent: Slight stain or loss of gloss, but no change to the function, smoothness or life of the work surface material.

Good: A clearly discernible stain or loss of gloss, but no change to the function, smoothness or life of the work surface material.

Fair: Unacceptable staining or discernible deterioration or etching of the work surface material.

Failure: Severe stain or moderate deterioration, pitting cratering or etching of work surface material.

		No effect	Excellent	Good	Fair	Failure
Acids						
Acetic Acid	99%	■				
Acid Dichromate	5%	■				
Chromic Acid	60%	■				
Formic Acid	90%	■				
Hydrochloric Acid	10%	■				
Hydrochloric Acid	37%	■				
Hydrofluoric Acid	48%					■
Nitric Acid	20%	■				
Nitric Acid	30%		■			
Nitric Acid	65%			■		
Nitric Acid	70%			■		
Nitric Acid 65% : Hydrochloric Acid 37%	(1:3)	■				
Perchloric Acid	60%	■				
Phosphoric Acid	85%	■				
Sulphuric Acid	25%	■				
Sulphuric Acid	33%	■				
Sulphuric Acid	77%	■				
Sulphuric Acid	85%	■				
Sulphuric Acid	98%		■			
Sulfuric Acid 77% : Nitric Acid 70%	(1:1)			■		
Sulfuric Acid 85% : Nitric Acid 70%	(1:1)			■		
Bases						
Ammonium Hydroxide	28%	■				
Sodium Hydroxide	10%	■				
Sodium Hydroxide	20%	■				
Sodium Hydroxide	40%	■				
Sodium Hydroxide Flake		■				
Salts						
Copper Sulphate	10%	■				
Ferric(III)chloride	10%	■				
Potassium Iodite	10%	■				
Potassium Permanganate	10%	■				
Saturated Zinc Chloride		■				
Silver Nitrate	1%	■				
Sodium Chloride	10%	■				
Sodium Hypochlorite	13%	■				
Halogens						
Iodine (Crystals)			■			
Iodine Solution (0.1 N)			■			
Tincture of Iodine			■			
Organic Chemicals						
Cresol		■				
Dimethylformamide		■				
Formaldehyde	37%	■				
Furfural			■			

WORKTOP - TRESPA Toplab plus

		No effect	Excellent	Good	Fair	Failure
Gasoline		■				
Hydrogen Peroxide	3%	■				
Phenol	90%	■				
Sodium Sulfide Saturated		■				
Solvents**						
Acetic Anhydride		■				
Acetone		■				
Acetonitrile		■				
Amyl Acetate		■				
Benzene		■				
Butyl Alcohol		■				
Carbon Tetrachloride		■				
Chloroform		■				
Dichlor Acetic Acid		■				
Dichloromethane		■				
Dioxane		■				
Diethyl Ether		■				
Ethylacetate		■				
Ethylalcohol		■				
Ethylene Glycol		■				
Methylalcohol		■				
Methylene Chloride		■				
Methylethylketone		■				
Methylisobutylketone		■				
Mono Chlorobenzene		■				
Napthelene		■				
n-Butyl Acetate		■				
Tetrahydrofurane		■				
n-Hexane		■				
Toluene		■				
Trichloroethylene		■				
Xylene		■				
Biological Stains						
Acridine Orange	1%	■				
Alizarin Complexone Dihydrate	1%	■				
Aniline Blue, water soluble	1%	■				
Basic Fuchsin	1%	■				
Carbol Fuchsin	1%	■				
Carmine	1%	■				
Congo Red	1%	■				
Gentian Violet (dye)	1%	■				
Eosin B	1%	■				
Giemsa Stain	1%	■				
Malachite Green Oxalate	1%	■				
Methyl Violet 2B	1%	■				
Methylene Blue	1%	■				
Safranin O	1%	■				
Sudan III	1%	■				
Wright Stain	1%	■				
Most conventional cleaning agents		■				



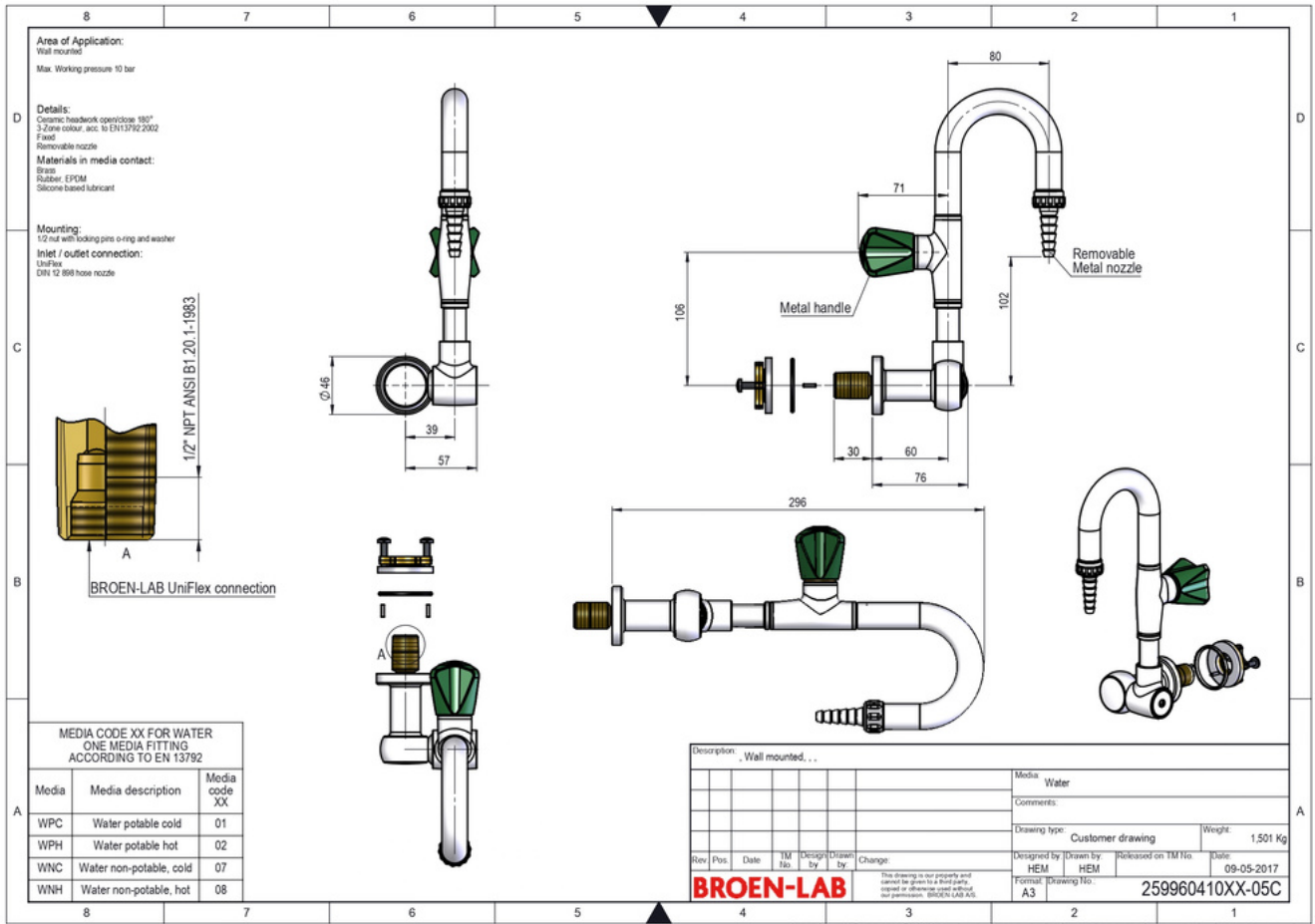
The chemicals mentioned in the above table include the 49 chemicals/concentrations listed by SEFA (Scientific Equipment and Furniture Association) as well as the main reagents from the PSI (Professional Service Industries/Pittsburgh Laboratory Division).

All information is based on our current state of knowledge. It is intended as information concerning our products and their application possibilities, and is therefore not intended as any form of guarantee with regard to any specific product characteristic. Test results differ per colour.

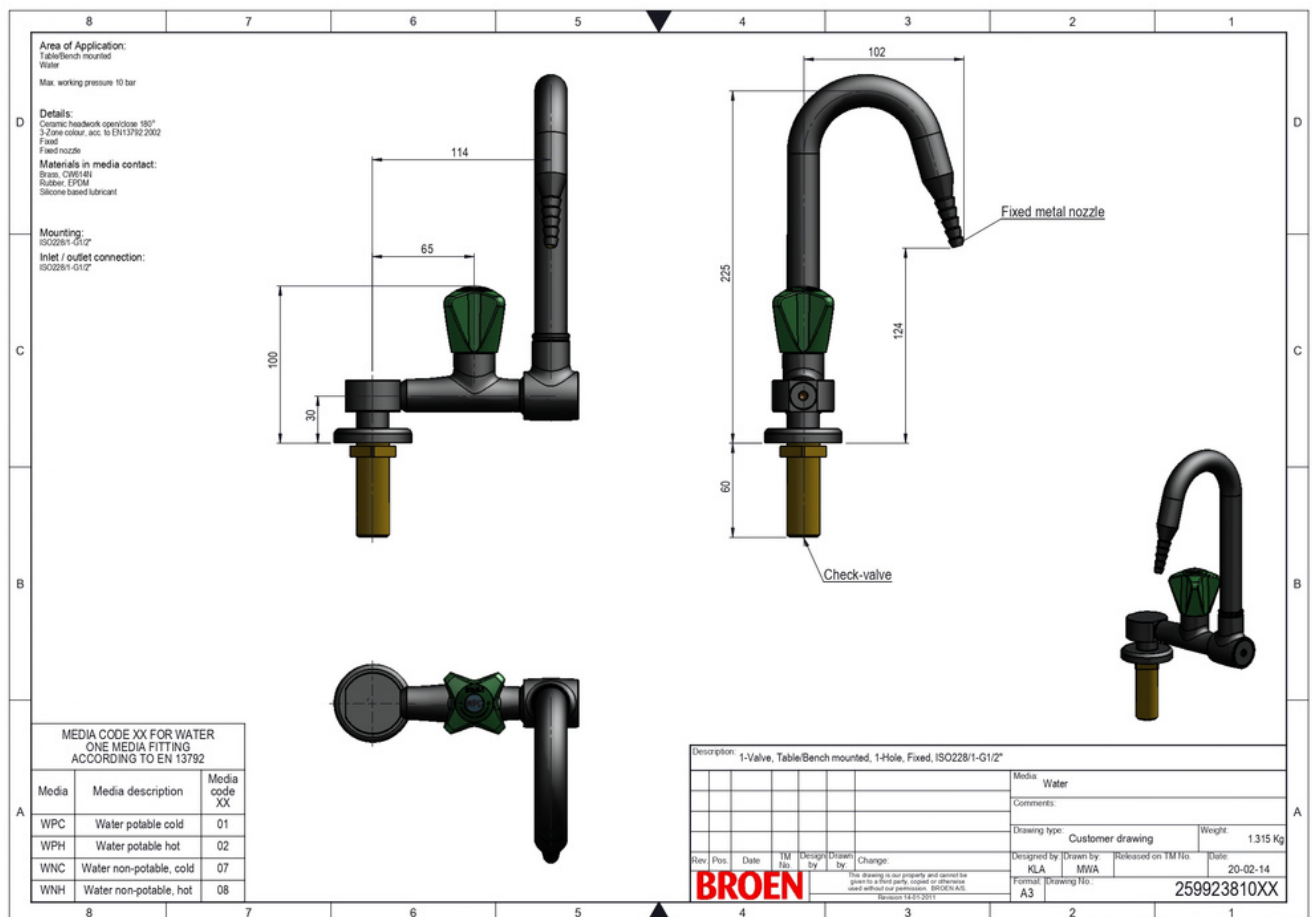
Although the tests have been conducted according to the standard, it is recommended that users conduct their own tests: convince yourself that Trespa TopLab^{PLUS} is the only true multifunctional worktop!

Please check www.trespa.info for the latest version of the material properties and delivery programme.

WATER FAUCET - FOLDABLE



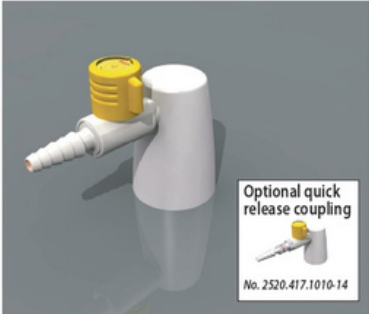
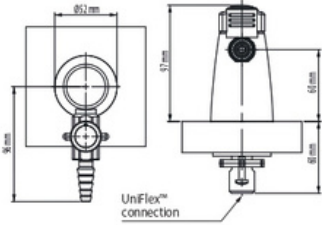
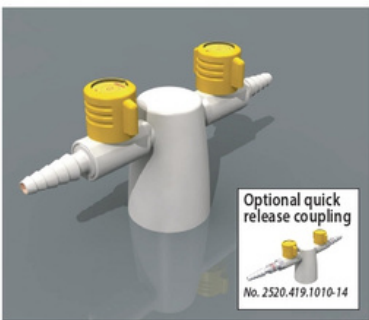
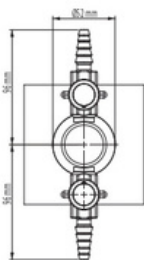
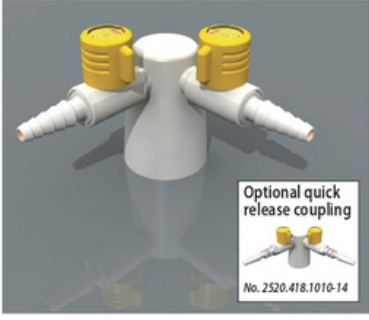
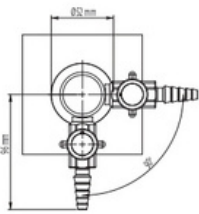

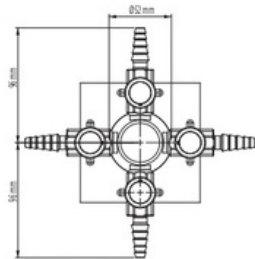
C:\LabGroup\K-Projekte\K076\2009\Version1-Grebs med svino-fast tud (Valve H11-Grebs med svino-fast tud (Nv cobvornoi



C:\LabGroup\16-2599- NUMBERS FINAL PRODUCTS

GAS OUTLET

BROEN-LAB UNIFLEX™
Lift/Turn Valves for Burning Gases

<p>No. 2520.317.1010-14</p> <p>Burning Gas Lift/Turn</p> <p>Bench mounted</p> <p>Single Lift/Turn gas fitting.</p> <p>Alternative media identification: LPG: 2520.317.1012-14</p> <p>Also available for non-burning gases: CA: 2520.317.1038-14 V: 2520.317.1041-14 N₂: 2520.317.1044-14</p> <p>Weight: Approx. 0.7 kg</p>	 <p>Optional quick release coupling No. 2520.417.1010-14</p>	
<p>No. 2520.319.1010-14</p> <p>Burning Gas Lift/Turn</p> <p>Bench mounted</p> <p>Two-way Lift/Turn gas fitting 180°.</p> <p>Alternative media identification: LPG: 2520.319.1012-14</p> <p>Also available for non-burning gases: CA: 2520.319.1038-14 V: 2520.319.1041-14 N₂: 2520.319.1044-14</p> <p>Weight: Approx. 0.8 kg</p>	 <p>Optional quick release coupling No. 2520.419.1010-14</p>	
<p>No. 2520.318.1010-14</p> <p>Burning Gas Lift/Turn</p> <p>Bench mounted</p> <p>Two-way Lift/Turn gas fitting 90°.</p> <p>Alternative media identification: LPG: 2520.318.1012-14</p> <p>Also available for non-burning gases: CA: 2520.318.1038-14 V: 2520.318.1041-14 N₂: 2520.318.1044-14</p> <p>Weight: Approx. 0.8 kg</p>	 <p>Optional quick release coupling No. 2520.418.1010-14</p>	
<p>No. 2520.320.1010-14</p> <p>Burning Gas Lift/Turn</p> <p>Bench mounted</p> <p>Four-way Lift/Turn gas fitting.</p> <p>Alternative media identification: LPG: 2520.320.1012-14</p> <p>Also available for non-burning gases: CA: 2520.320.1038-14 V: 2520.320.1041-14 N₂: 2520.320.1044-14</p> <p>Weight: Approx. 1.1 kg</p>	 <p>Optional quick release coupling No. 2520.420.1010-14</p>	

BROEN-LAB UNIFLEX™ LIFT/TURN VALVES FOR BURNING GASES

ELECTRICAL SOCKET



Essential RANGE
Essential QUALITY
Essential PRICE
Essential CHOICE

MK Essential